

**LIGHTING FOR COMPLEX ENVIRONMENTS**

**1' X 4'**

**APPLICATIONS**

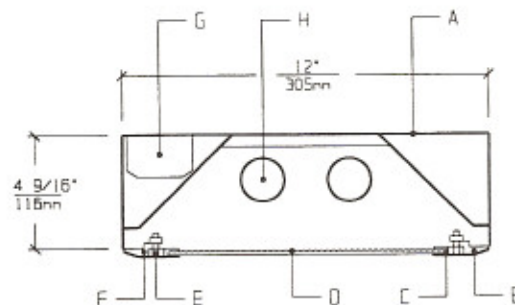
- Schools / Universities
- Apartments / Condominiums / Public Housing
- Convenience Stores
- Government Facilities
- Hospitals

Welded housings with unbreakable lenses and tamperproof screws help VST Series withstand severe punishment, and make them ideally suited for VANDAL and HIGH ABUSE areas, where deliberate tampering is expected.

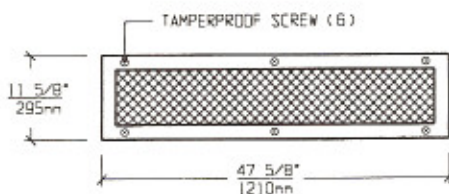
**FEATURES**

- ♦ 20 gauge die formed Housing, painted white
- ♦ 1 foot by 4 feet nominal Housing size
- ♦ Overlap one-piece 18 gauge Lens Frame
- ♦ Suitable for high pressure Hosedown
- ♦ Captive Tamperproof Screws with captive cage nuts
- ♦ High Impact low brightness Lens (See Options)
- ♦ Non-corrosive durable coating
- ♦ Maintenance free, one time installation
- ♦ Stands up to physical impact and tampering

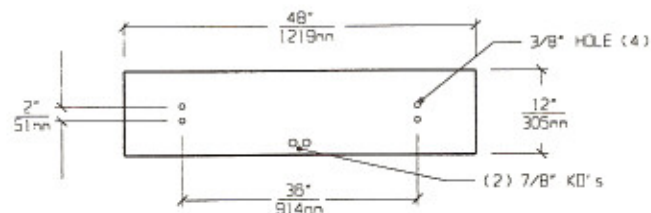
**CROSS SECTION**



**LENS FRAME DIMENSIONS**



**TOP VIEW**



**SPECIFICATIONS**

<p><b>A. HOUSING</b> Die formed 20 gauge cold rolled steel Housing, with welded seams.</p> <p><b>B. LENS FRAME</b> Die formed one piece 18 gauge cold rolled steel Lens Frame.</p> <p><b>C. GASKET</b> Closed cell gaskets prevent moisture from entering the fixture.</p> <p><b>D. LENS</b> Low brightness high impact Lens (See Options).</p> <p><b>E. FASTENERS</b> Captive stainless steel tamperproof screws apply even pressure against Lens Frame.</p>	<p><b>F. HINGE</b> Two "shadow free" detachable chains for ease of installation and maintenance.</p> <p><b>G. BALLAST</b> HPF, Class P, Energy saving (See Voltage, Ballast Options).</p> <p><b>H. LAMPS</b> 32W T-8 or 40W T-12 Lamps. See Lamp Options. (Lamps by others).</p> <p><b>I. FINISH</b> Polyester Powder coat white finish with 92% reflectance.</p> <p><b>J. UL LISTED</b> Suitable for Wet Locations.</p>
---	--

LAMP SELECTION



LAMPS: (1) 32W T-8  
(1) 40W T-12



LAMPS: (2) 32W T-8  
(2) 40W T-12



LAMPS: (3) 32W T-8  
(3) 40W T-12

ORDERING INFORMATION

VST - 14 -

No. of LAMPS	WATTAGE	VOLTAGE	BALLAST	LENS OPTION	OPTIONS
1=1 Lamps	32=32 Watts	120=120 Volts	EB=Electronic Ballast	12PA=.125"Prism. Acrylic	EM=Emergency Lighting
2=2 Lamps	(T- 8)	277=277 Volts		15PA=.156"Prism. Acrylic	GF=GLR Fuse
3=3 Lamps	40=40 Watts	347=347 Volts	MB=Magnetic Ballast	15PG=.156"Prism. Glass	NL=Night Light(PL-7or 9)
4=4 Lamps	(T-12)		EB2=(2) Electr. Ballasts	18PP=.187"Prism. P/C	DB=Dimming Ballast
			EBH=<10% THD El. Ballast	UO = UV Absorbing Overlay	RF=Radio Frequency Interference Filter
				(Other Lens Options available. Consult Factory)	CW=Cold Weather Ballast
					AHP=Aluminum Housing Painted
					AFP=Aluminum Lens Frame, Painted
					AFA=Aluminum Lens Frame, Anodized
					SHP=Stainless Steel Housing, Painted
					SFP=Stainless Steel Lens Frame, Painted
					SFN=Stainless Steel Lens Frame, Natural
					AH=Allen Head Screws
					OH=Oval Head Screws

(More than one Option can be specified)

EXAMPLE: VST - 14 - 3 - 32 - 277 - EB - 15PG - GF - NL

DESCRIPTION: VST-14 = Series VST, 1 foot by 4 feet nominal size  
 3 = 3 Lamps  
 32 = 32 Watts T-8 Lamps  
 277 = 277 Volt Operation  
 EB = Electronic Ballast  
 15PG = .156"Thick Prismatic Tempered Glass  
 GF = GLR Fuse  
 NL = Night Light for PL - 7 or 9

FIXTURE TYPE		COMMENTS
CATALOG NUMBER	VST-14-	
JOB NAME		
APPROVAL		
DATE		

Dimensions and Specifications subject to change without notice  
 Fixture guaranteed for one year against mechanical defects in manufacture.  
 2 - 97 VST-14